



LEOCH IOT GATEWAY For Telecoms Battery

The Leoch IoT gateway can be paired with lithium backup batteries deployed in telecom environments such as server rooms and base stations, enabling local monitoring via the gateway's Web UI or remote access through the NOC.

SOFTWARE CAPABILITIES



Integrate With Lithium Backup Batteries

Integrate with Battery via Modbus RTU over RS485, support 2-16 batteries



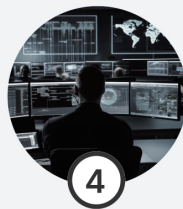
Local Storage For Battery Data And Alarm

Local storage for data and alarms. Storing up to 10,000 data and alarm records



Local Web Management UI

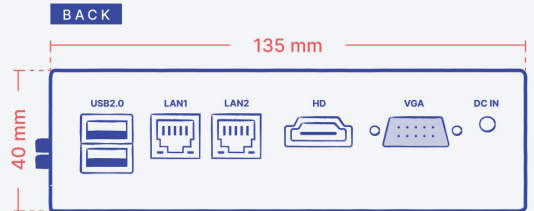
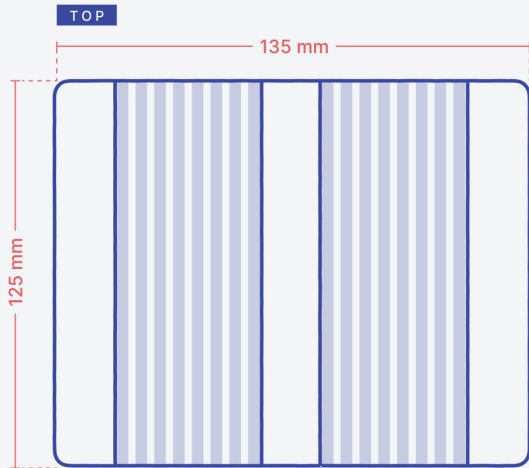
- Configure Connectivity to Battery BMS
- Monitor Battery Performance
- Show Battery Alert
- Update Battery Configuration
- Update Battery firmware
- Update IoT Gateway firmware



Connectivity To NOC

Connectivity to NOC Over SNMP

DIMENSIONS



SPECIFICATIONS

Processor	Intel®Core N2830
Memory	4GB DDR3L
Storage	64GB mSATA
Networking	1,000Mbps Ethernet port x2
I/O Interface	Serial port RS-485 ×2
	USB 2.0 ×2
	USB 3.0 ×4
	HDMI x1
	VGA x1
	2.4G/5G WIFI
Power Supply	12V DC input, package includes external 48-60V to 12V DC/DC Converter
Dimension	135mm x 125mm x 40mm
Operating Temperature	-10°C to 60°C
Storage Temperature	-20°C to 70°C
Operating Relative Humidity	10% to 90%